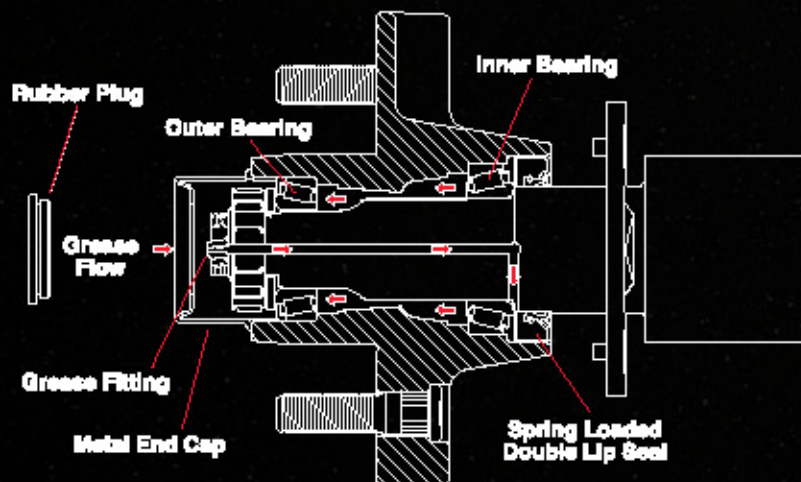
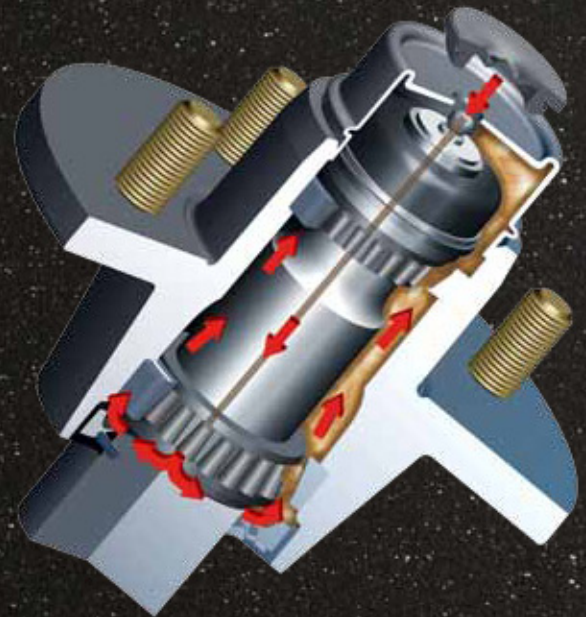




# BEARING LUBRICATION MADE QUICK & EASY

- A trailer running gear lubrication system that's simple to maintain and completely submersible.
- Allows grease to easily flow to both the inner and outer bearings\* for a complete repack.
- No disassembly required, just attach a grease gun at the spindle end and inject the grease.
- E-Z Lube® cap allows for easy access, extra protection, and virtually no mess.
- Easily purges contaminated grease without removing the hub.
- Ideal for most towable axles including boat trailer applications.
- Two-year limited product warranty.



## HOW E-Z LUBE® WORKS

The E-Z Lube® system consists of axle spindles that have been specially drilled and assembled with grease fittings in their ends. When grease is pumped into the fitting, it is channeled to the inner bearing, then to the outer bearing, and eventually back out the grease cap hole for a complete bearing repack. The protection and maintenance features of the E-Z Lube® system make it ideal for most towable axles. E-Z Lube® is designed to allow for immersion in water.

E-Z Lube® is subject to the maintenance and inspection procedures as outlined in the Dexter Operation Maintenance Service Manual.